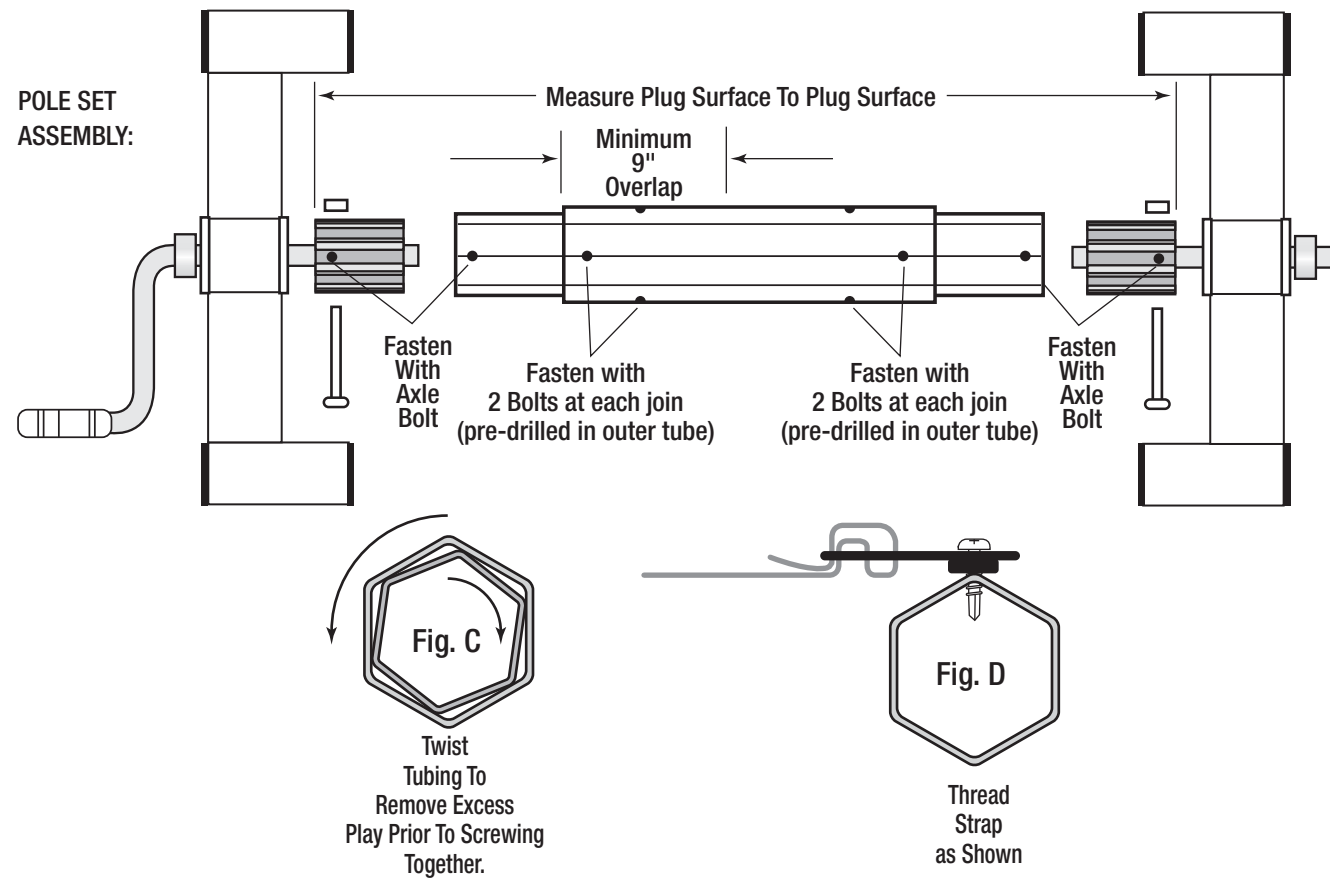


TUBE KIT ASSEMBLY:

- Loosely assemble extruded tubes together. Slide excess width into adjoining tubes, dividing it up as equally as possible.
Note: You must have a minimum of 9" of overlap in each tube!
- Measure the width across the pool from plug surface to plug surface & adjust length of the tube assembly to fit the span.
- Lock the tubes together by rotating each adjoining tube in the opposite direction. (See Figure C Below)
- Attach the tube assembly to the Crank and Tubing Plugs and check for fit. Assemble Tube assembly together with Crank Handles and Tube Plugs by lining up hole in the end of each tube fitted into Crank Handle and secure with metal Axle Bolt and nut provided.
- When all is OK drill holes for the through bolts to connect the tubes. Use the pre-drilled holes in the outer tube as a guide to drill the smaller inner tube. Drill from each side with the drill bit supplied.
- Fasten with 2 Bolts & Nuts at each join. Bolts are at right angles to each other

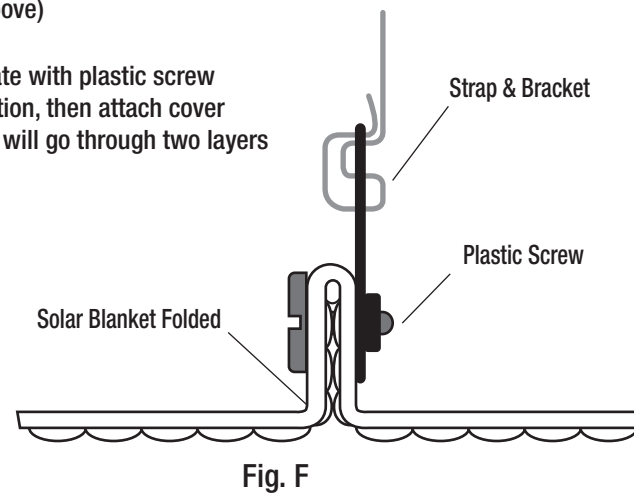
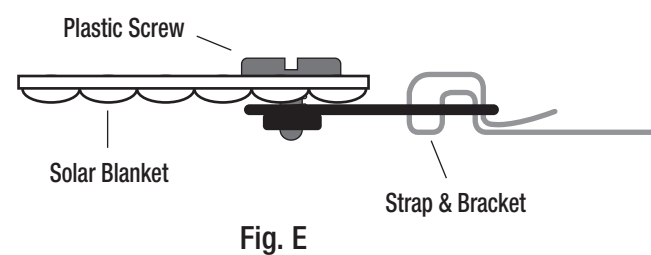


8. Attach Straps to Tubes:

Come in 6 inches from each tube end and attach a strap plate to the aluminum tube assembly. Use the self drilling screws on the drill line to attach the plate. Look at the holes that were pre-drilled at the factory and use the same drill line. There are 6 lines on each tube. Take the remaining strap plates and connect them evenly along the length of the tube assembly. Attach Straps to strap plate. (See Figure D Above)

9. Attach Solar Blanket to Straps:

If Reel is to be placed at the end of the pool, attach cover to strap plate with plastic screw as shown in Figure E Below Left. If Reel is to be placed in offset position, then attach cover to strap plate forming a fold to act like a hinge and the plastic screw will go through two layers of the solar blanket as shown in Figure F Below Right. Bubbles should face down.



#4399000
INSTRUCTIONS

COMMERCIAL ALUMINUM REEL SYSTEM FOR INGROUND POOLS

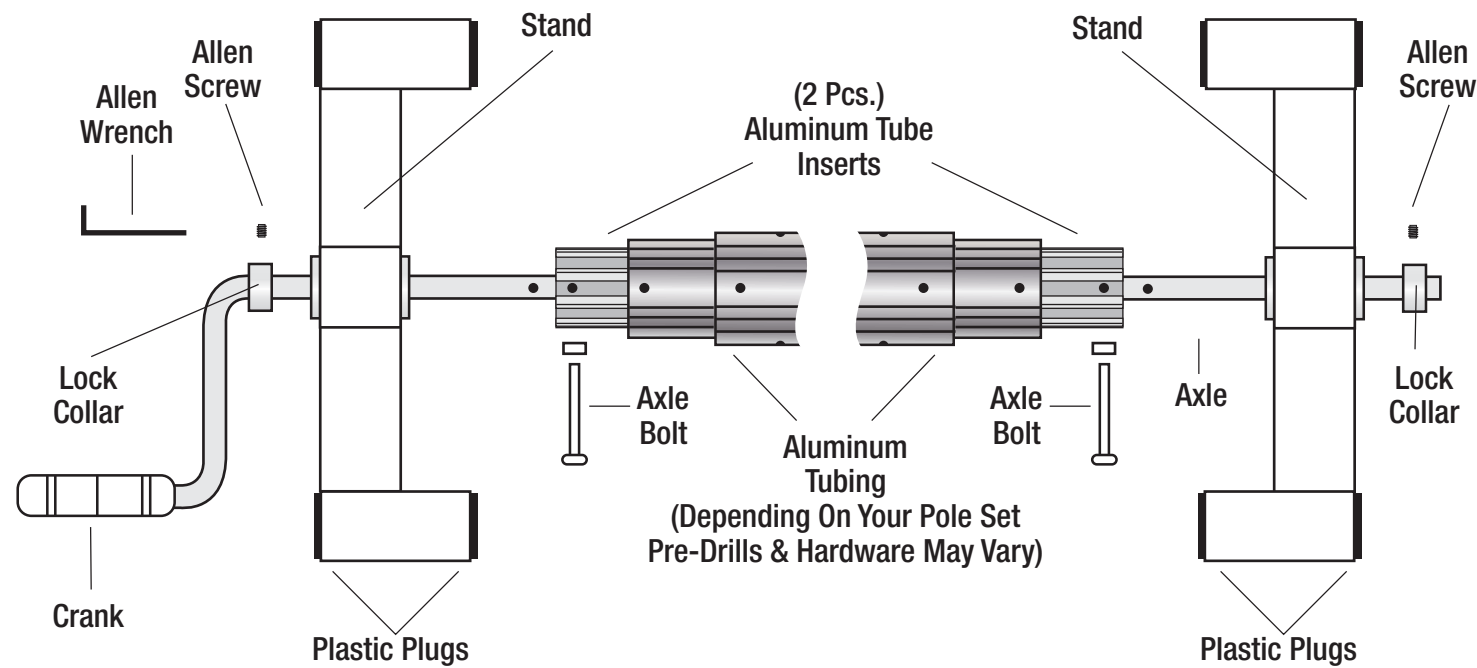


GLI
Pool Products

Youngstown, OH 44510
www.glipoolproducts.com

COMMERCIAL ALUMINUM REEL SYSTEM FOR INGROUND POOLS

1. **Congratulation on your purchase of our Commercial Quality Aluminum Reel for In Ground Pools.**
Please follow the instructions carefully so as to not void our warranty.
2. Please use your solar blanket and reel assembly in the manner it was intended for:
 - a. Your solar blanket is not a safety cover
 - b. Remove the solar blanket and Solar Reel assembly from the pool completely before swimming use.
 - c. Do not store the solar blanket on the ground in direct sunlight, as it will burn the lawn
3. **Preparation & Assembly: Check inventory of all items and assemble as illustrated below:**



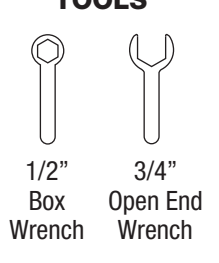
INCLUDED PARTS LIST

- (2) Telescopic Adjustable height stands
- (4) Sealed bearings (installed)
- (8) Plastic end caps for stands
- (1) Crank handle with grip & lock collar
- (1) Axle with lock collar
- (2) Aluminum tube inserts
- (2) Axle Bolts with nuts
- (1) Allen key for locking collar
- (8) Rubber feet
- (2) Quick Release Pins
- (1) 1/2" Box Wrench (For Casters)
- (1) 3/4" Open End Wrench (For Casters)
- (4) Caster Inserts
- (4) Bolts to mount Caster Inserts
- (8) Casters

STRAP KIT

- (11 Pcs.) Plastic Screw (1 extra piece)
- (21 Pcs.) Plastic Strap Plate (1 extra piece)
- (11 Pcs.) Stainless Steel Self-Drilling Screws (1 extra piece)
- (1 Pc.) Hex Driver Bit
- (10 Pcs.) Fabric Straps (1 extra piece)

CASTER TOOLS



NOTE: SEE CASTERS KIT FOR CASTERS INSTALLATION INSTRUCTIONS!



4. **Depending upon the size of your pool you will also require one of the following tube kits:**
(Tube Assembly is detailed below and on back cover)

Part #4390012 Tube Kit

Fits up to 12' width pool
Contains:
(1) 59-1/2" x 2.920" Diameter extruded aluminum shaft
(2) 59-1/2" x 2.745" Diameter extruded aluminum shaft
(4) 3.25" Through Bolts

Part #4390016 Tube Kit

Fits up to 16' width pool
Contains:
(2) 72" x 2.920" Diameter extruded aluminum shaft
(1) 72" x 2.745" Diameter extruded aluminum shaft
(4) 3.25" Through Bolts

Part #4390020 Tube Kit

Fits up to 20' width pool
Contains:
(3) 59-1/2" x 2.920" Diameter extruded aluminum shaft
(2) 59-1/2" x 2.745" Diameter extruded aluminum shaft
(8) 3.25" Through Bolts

Part #4390420 4" Tube Kit

Fits up to 20' width pool
For larger pools and/or heavy guage solar covers
Contains:
(3) 59-1/2" x 3.920" Diameter extruded aluminum shaft
(2) 59-1/2" x 3.745" Diameter extruded aluminum shaft
(10) 4" Through Bolts
(2) 6" Long Aluminum Inserts
(2) 4" Dia. Plastic Tube Inserts

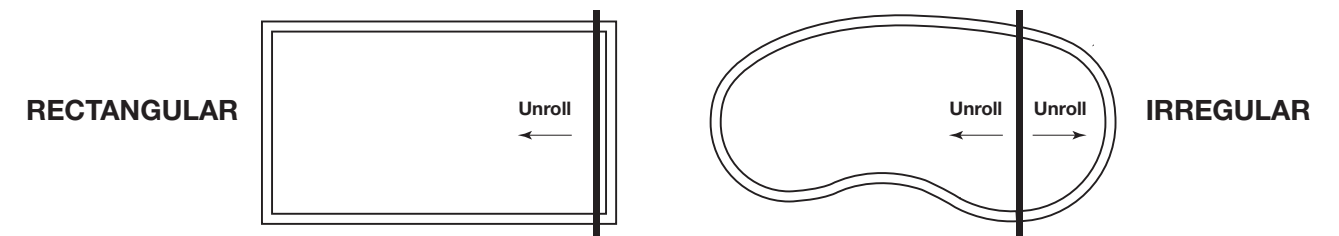
Part #4390024 4" Tube Kit

Fits up to 24' width pool
For larger pools and/or heavy guage solar covers
Contains:
(3) 68" x 3.920" Diameter extruded aluminum shaft
(2) 68" x 3.745" Diameter extruded aluminum shaft
(10) 4" Through Bolts
(2) 6" Long Aluminum Inserts
(2) 4" Dia. Plastic Tube Inserts

5. **Positioning Your Solar Reel:**

For Rectangular pools, place Wheels at either end of pool.

For Irregular shaped pools, place Wheels at some convenient midway point. You will need to fold Blanket and allow Blanket to unroll in two directions. (See Illustrations below)



6. **Trimming Your Solar Blanket:**

- Lay your Solar Blanket (not provided) on top of water.

IMPORTANT! Irregular Shaped Pools will need to have their solar covers folded at point of placement of Reel stands! The cover will unroll left and right of Reels & cross pole. Please allow 6 inches more material on length to allow for a fold where straps will be attached for wind onto reel system. (See Illustrations above)

- With scissors trim blanket to fit shape of pool. Be sure to clear pool edge coping.

7. **Assembling The Tube Kit:**

All Tube Sets consist of 6 sided Hexagon shaped aluminum tubing. There are two diameters of tubing, the smaller size nesting into the larger size. All Tube Kits **Begin and End with Small Tubes**. The Tube Plug Requires **CAREFUL ALIGNMENT!** (See Illustration Below For Proper Plug Insertion)

