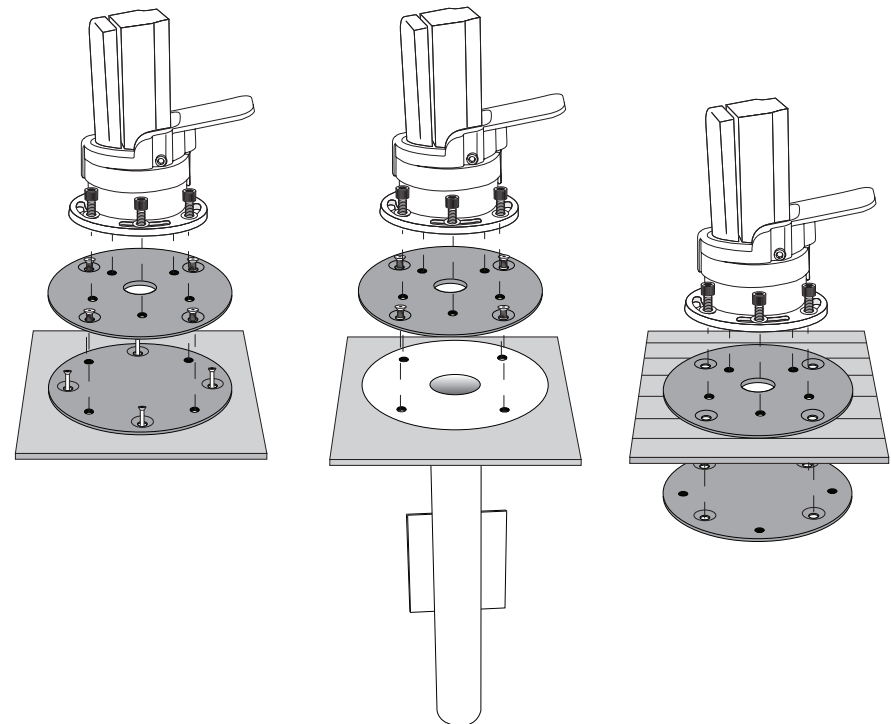




AMK-C AMK-G AMK-W AKZ Mount Kits

Assembly and Operation Guide



www.treasuregarden.com

©2012 Treasure Garden, Inc. - All Rights Reserved.

Initial 3/2012



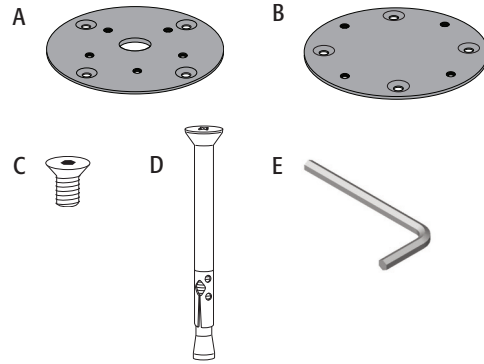
Thank you for your purchase of Treasure Garden's AKZ Mount Kit.

Please remove all contents from the package, inspect and review checklist.

MOUNT KIT CHECK LIST

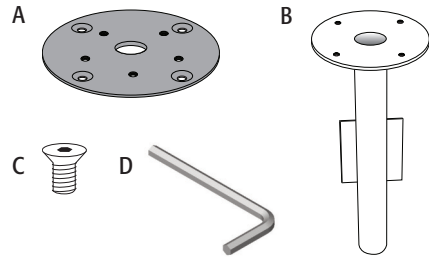
Concrete Mount Kit check list:

- A - Adapter Plate (8.5" diameter)
- B - Base Plate (8.5" diameter)
- C - Stem Bolts (4)
- D - Concrete Bolts (4)
- E - Allen Wrench



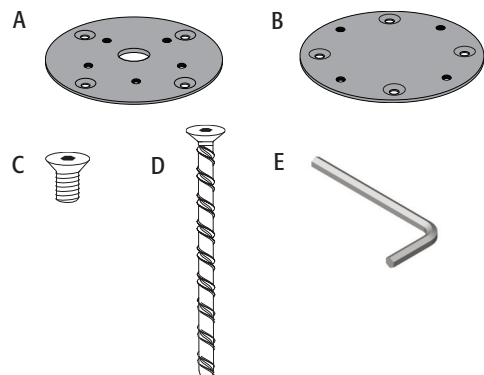
In-Ground Fitting Kit check list:

- A - Adapter Plate (8.5" diameter)
- B - In-Ground Fitting
- C - Stem Bolts (4)
- D - Allen Wrench



Wooden Deck Mount Kit check list:

- A - Adapter Plate
- B - Base Plate
- C - Stem Bolts (4)
- D - Machine Bolts (4) - NOT INCLUDED
- E - Allen Wrench



WARRANTY:

Treasure Garden warrants this product (in residential use) to be free from defects in original materials and workmanship for a period of 1 year from the date of purchase. If a defect in the original material or workmanship appears during the warranty period; Treasure Garden will (at its option) repair or replace the product without charge.

Simply contact your original authorized Treasure Garden dealer with a description of the defect. The dealer will verify the defect and work closely with Treasure Garden to obtain the necessary service. In many cases, simple problems can be solved with a replacement part that can be shipped directly to the dealer for professional installation / repair.

In the event that warranted factory service is required, Treasure Garden will

assume the responsibility of the return freight charges on warranted product for the first year only.

Returned product that (upon receipt and inspection) is deemed to be "not covered" under our warranty, will be shipped / billed at your expense.

This warranty gives you specific legal rights, and you may have other rights which vary from state to state.

RUST: Rust is a natural part of the aging process of steel or iron based materials, and is therefore NOT considered a defect.

NOTE: Failure caused by unreasonable or abusive use, or failure caused by neglect of reasonable and necessary care are not covered by this warranty.

Additionally, acts of nature (including but not limited to wind, hurricanes, tornadoes, and storms) are not covered by this warranty.

CAUTION: HANDLE WITH CARE

- To reduce personal injury and damage, read and follow this Assembly and Operation information.
- Close the umbrella in windy conditions or when a storm approaches. Never allow the umbrella to flap in the wind; this could damage the canopy.
- Do not leave open umbrella unattended.
- Do not allow children to play on or with the base.

DISCLAIMER:

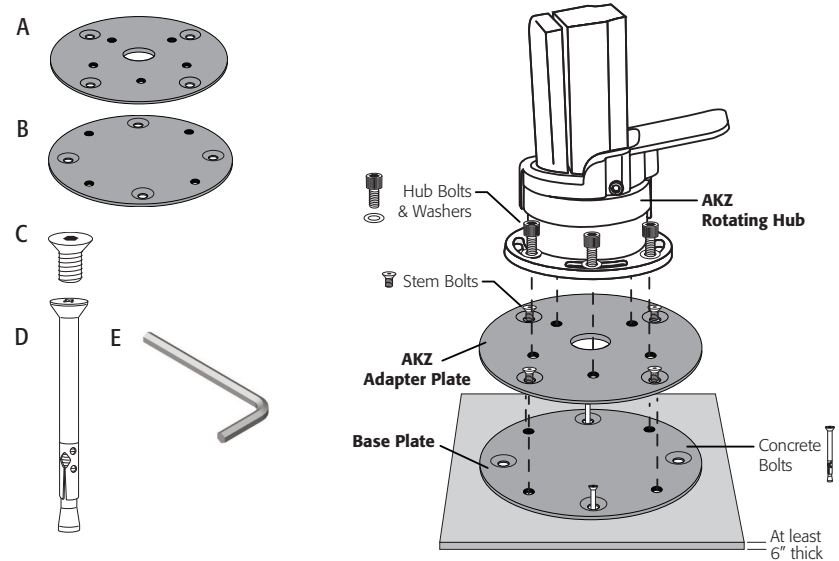
THE AKZ MOUNTING KIT SHOULD ONLY BE PROFESSIONALLY INSTALLED BY A LICENSED CONTRACTOR DULY QUALIFIED TO PERFORM THE INSTALLATION. TREASURE GARDEN® ASSUMES NO LIABILITY AND EXPRESSLY DISCLAIMS ANY RESPONSIBILITY FOR INJURIES OR DAMAGES ARISING FROM OR RELATED TO THE FAILURE OF BUYER TO HAVE THE AKZ MOUNTING KIT INSTALLED BY A LICENSED PROFESSIONAL CONTRACTOR. TREASURE GARDEN MAKES NO WARRANTY EXCEPT AS EXPRESSLY STATED HEREIN, AND NO WARRANTY EXCEPT TITLE TO MATERIALS FURNISHED SHALL BE IMPLIED WITH RESPECT TO THIS ORDER.

DISCLAIMER OF WARRANTIES: EXCEPT AS HEREIN EXPRESSLY SET FORTH, THIS PRODUCT IS SOLD "AS IS" AND "WITH ALL FAULTS", AND WITHOUT ANY IMPLIED WARRANTY OF MERCHANTABILITY -- WHICH WARRANTY IS HEREBY EXPRESSLY EXCLUDED. THIS PRODUCT IS SOLD WITHOUT ANY IMPLIED WARRANTY OF FITNESS FOR A PARTICULAR PURPOSE -- WHICH WARRANTY IS HEREBY EXPRESSLY EXCLUDED. MOREOVER, THERE ARE NO WARRANTIES WHICH EXTEND BEYOND THE DESCRIPTION ON THE FACE HEREOF."

CONCRETE MOUNT KIT

Concrete Mount Kit includes:

- A - Adapter Plate (8.5" diameter)
- B - Base Plate (8.5" diameter)
- C - Stem Bolts (4)
- D - Concrete Bolts (4)
- E - Allen Wrench

**STEP 1 Bolt Base Plate**

Bolt the base plate to an existing concrete slab (or through no thicker than 1" pavers or tiles adhered to a concrete slab) using concrete bolts.

STEP 2 Bolt Adapter Plate

Bolt the adapter plate using the four (4) stem bolts and allen wrench. Insert the stem bolts downward through the countersunk holes and screw them into the threaded holes in the base plate using supplied allen wrench. Make sure they are very tight.

STEP 3 Attach Rotating Hub to Adapter Plate

Attach rotating hub to adapter plate using the hub bolts and washers that came with your AKZ umbrella.

STEP 4 Attach Umbrella

Slide frame over the newly mounted rotating hub. See AKZ Instruction Manual for further assistance.

You are now ready to operate your umbrella!

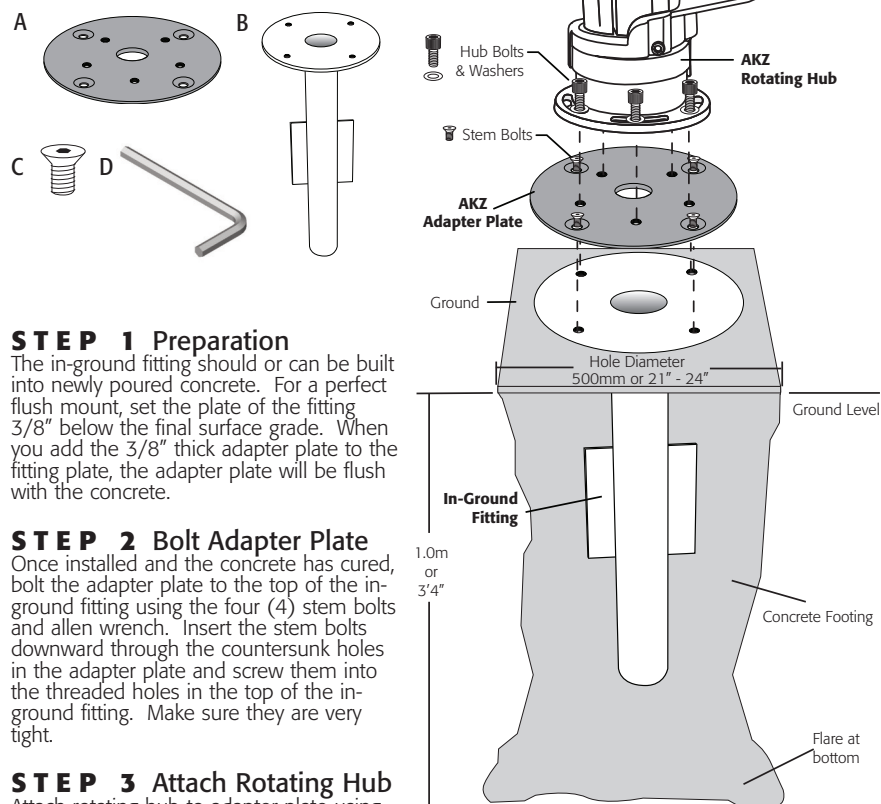
REMOVAL:

To remove your umbrella for seasonal storage or to move it to another base plate or in-ground fitting, see the AKZ Instruction Manual for further assistance on how to remove umbrella.

IN-GROUND MOUNT KIT

In-Ground Fitting Kit includes:

- A - Adapter Plate (8.5" diameter) C - Stem Bolts (4)
 B - In-Ground Fitting D - Allen Wrench



STEP 1 Preparation

The in-ground fitting should or can be built into newly poured concrete. For a perfect flush mount, set the plate of the fitting 3/8" below the final surface grade. When you add the 3/8" thick adapter plate to the fitting plate, the adapter plate will be flush with the concrete.

STEP 2 Bolt Adapter Plate

Once installed and the concrete has cured, bolt the adapter plate to the top of the in-ground fitting using the four (4) stem bolts and allen wrench. Insert the stem bolts downward through the countersunk holes in the adapter plate and screw them into the threaded holes in the top of the in-ground fitting. Make sure they are very tight.

STEP 3 Attach Rotating Hub

Attach rotating hub to adapter plate using the hub bolts and washers that came with your AKZ umbrella.

STEP 4 Attach Umbrella

Slide frame over the newly mounted rotating hub. See AKZ Instruction Manual for further assistance.

You are now ready to operate your umbrella!

IMPORTANT: When concreting the in-ground fitting in place, make sure not to get slurry in the screw threads. Either apply tape over the holes on both sides of the fitting or place the stem bolts in the threads and withdraw them when the concrete is set. Make sure that the in-ground fitting is perfectly level. Allow the concrete to cure for the appropriate cure time for your area before installing the umbrella onto the fitting.

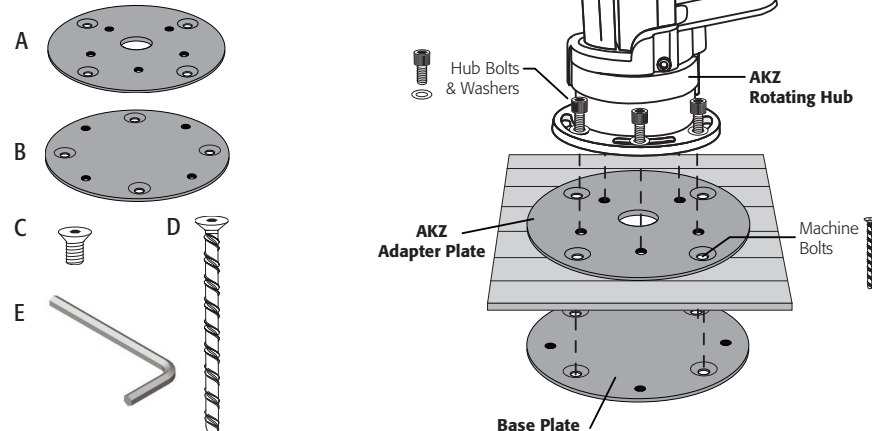
REMOVAL:

To remove your umbrella for seasonal storage or to move it to another base plate or in-ground fitting, see the AKZ Instruction Manual for further assistance on how to remove umbrella.

WOODEN DECK MOUNT KIT

Wooden Deck Mount Kit includes:

- A - Adapter Plate D - Machine Bolts (4) - NOT INCLUDED
 B - Base Plate E - Allen Wrench
 C - Stem Bolts (4)



STEP 1 Base Plate

Locate one base plate in the desired location on the deck. The base plate should overlap two deck planks evenly. Adjust the base plate so that the proper alignment is ensured.

STEP 2 Drilling Deck Planks

Mark the four countersunk holes onto the deck for drilling. Drill four 10mm holes through the deck planks for the machine bolts. Remove enough deck screws or nails from these planks to be able to install base plate underneath the planks.

STEP 3 Attach Base and Adapter Plates to Deck Planks

Attach the base plate and adapter plate together, with the base plate under the deck and the adapter plate on top of the deck planks, using the four (4) machine bolts. Insert the machine bolts downward through the countersunk holes on the top of the adapter plate, through the planks, and screw them into the threaded holes in the bottom base plate. Make sure they are very tight.

STEP 4 Fasten Deck Planks

Refasten the deck planks to the joists by attaching removed screws from Step 2 in the original holes closest to the base plate. Two structural deck screws should be used on either side of the base plate in each plank.

STEP 5 Attach Rotating Hub to Adapter Plate

Attach rotating hub to adapter plate using the hub bolts and washers that came with your AKZ umbrella.

STEP 6 Attach Umbrella

Slide frame over the newly mounted rotating hub. See AKZ Instruction Manual for further assistance.

You are now ready to operate your umbrella!

REMOVAL:

To remove your umbrella for seasonal storage or to move it to another base plate or in-ground fitting, see the AKZ Instruction Manual for further assistance on how to remove umbrella.